

| Table 2. Electrical Components | | | | |
|--------------------------------|--|-----------|---------|-------|
| Code | Component | Unit Size | | |
| | | 130 | 180 | 260 |
| | | PN | | |
| 1 | Disconnect switch | 101902 | | |
| 2 | Door switch, Carling #TA22B-TLB-B | 217262 | | |
| 3 | Vent temperature limit switch, Thermodisc 36T26 73DD, opens at 145°F, manual reset | 221158 | | |
| 4 | High temperature limit switch, 180° | 45602 | — | 45602 |
| | High temperature limit switch, 200°, yellow | — | 85449 | — |
| 5 | Pressure switch, Honeywell, 0–6000 feet altitude, yellow | 221251 | — | |
| | Pressure switch, Honeywell, 0–6000 feet altitude, blue | — | 221228 | — |
| | Pressure switch, Honeywell, 0–6000 feet altitude, white | — | 1013436 | |
| | Pressure Switch , Honeywell, 6001–10,000 feet altitude, green | 235954 | — | |
| | Pressure Switch , Honeywell, 6001–10,000 feet altitude, orange | — | 235953 | |
| 6 | Time delay relay, 24VAC, Airotronics* | 221388 | | |
| 7 | Venter motor capacitor, 7.5 µF, 400VAC | 195643 | | |
| 8 | Fan motor capacitor, 7.5 µF, 400VAC | 195643 | | |
| 9 | Transformer, 120/24 volts | 175265 | | |
| 10 | DSI control module, integrated circuit board, serial number code 79 (refer to Serial Numbers) | 195265 | | |
| | DSI control module, integrated circuit board, serial number code A1 (refer to Serial Numbers) | 269867 | | |
| 11 | Terminal board | 196813 | | |
| 12 | Gasket, terminal board | 196327 | | |
| 13 | Wiring harness, 9-pin | 234021 | | |
| 14 | Wiring harness, 5-pin | 221868 | | |

*Used on units manufactured *before* DEC 2012. Time delay relay is not used with DSI control module, integrated circuit board (code 10, PN 269867).

FLUE WRAPPER AND VENTER COMPONENTS

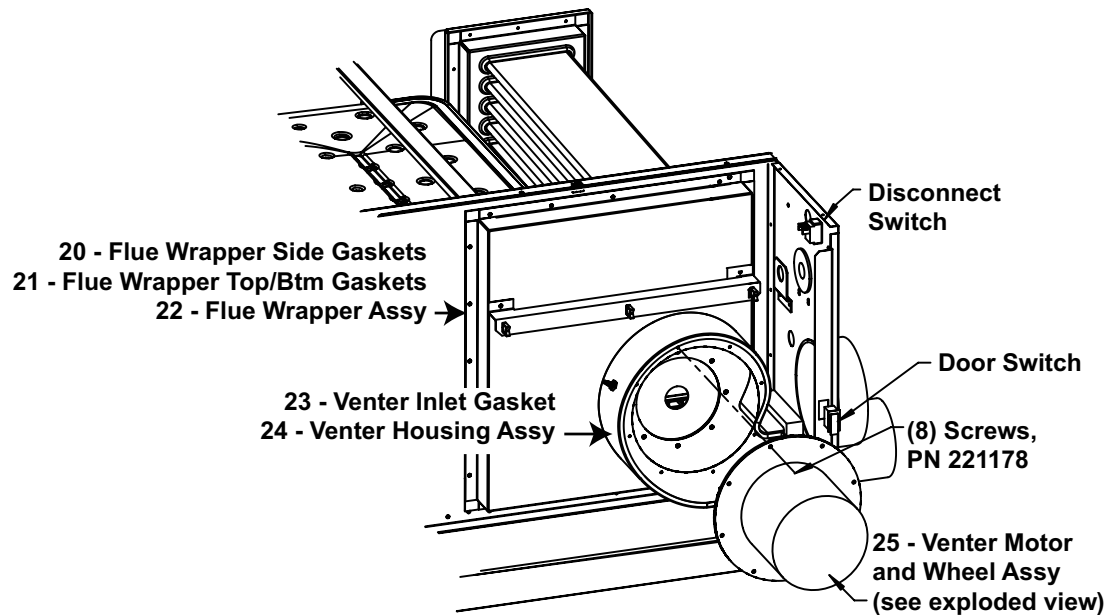


Figure 2. Flue Wrapper and Venter Components (Refer to [Table 3](#))